

BEN PEARSON

PANZITTA SALES & SERVICE
72 George Avenue
Wilkes-Barre, PA 18705
570-822-6720 800-822-6720
www.panzittasales.com

PARTS MANUAL - 12000-4 POST LIFT

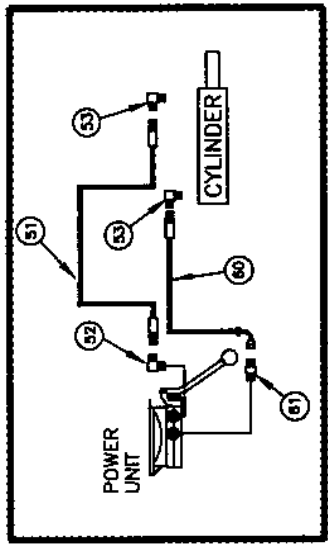
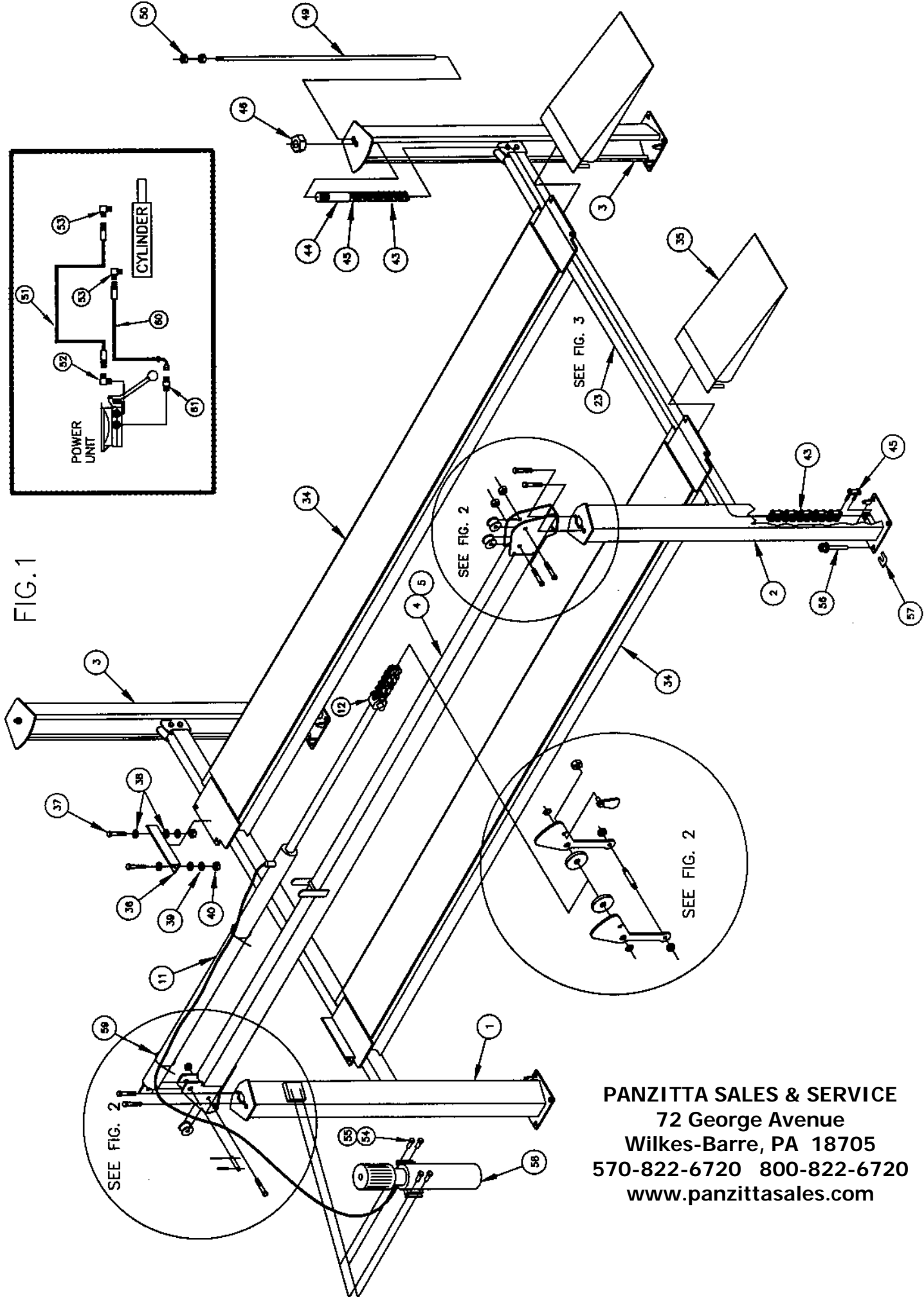


FIG. 1



PANZITTA SALES & SERVICE
 72 George Avenue
 Wilkes-Barre, PA 18705
 570-822-6720 800-822-6720
www.panzittasales.com

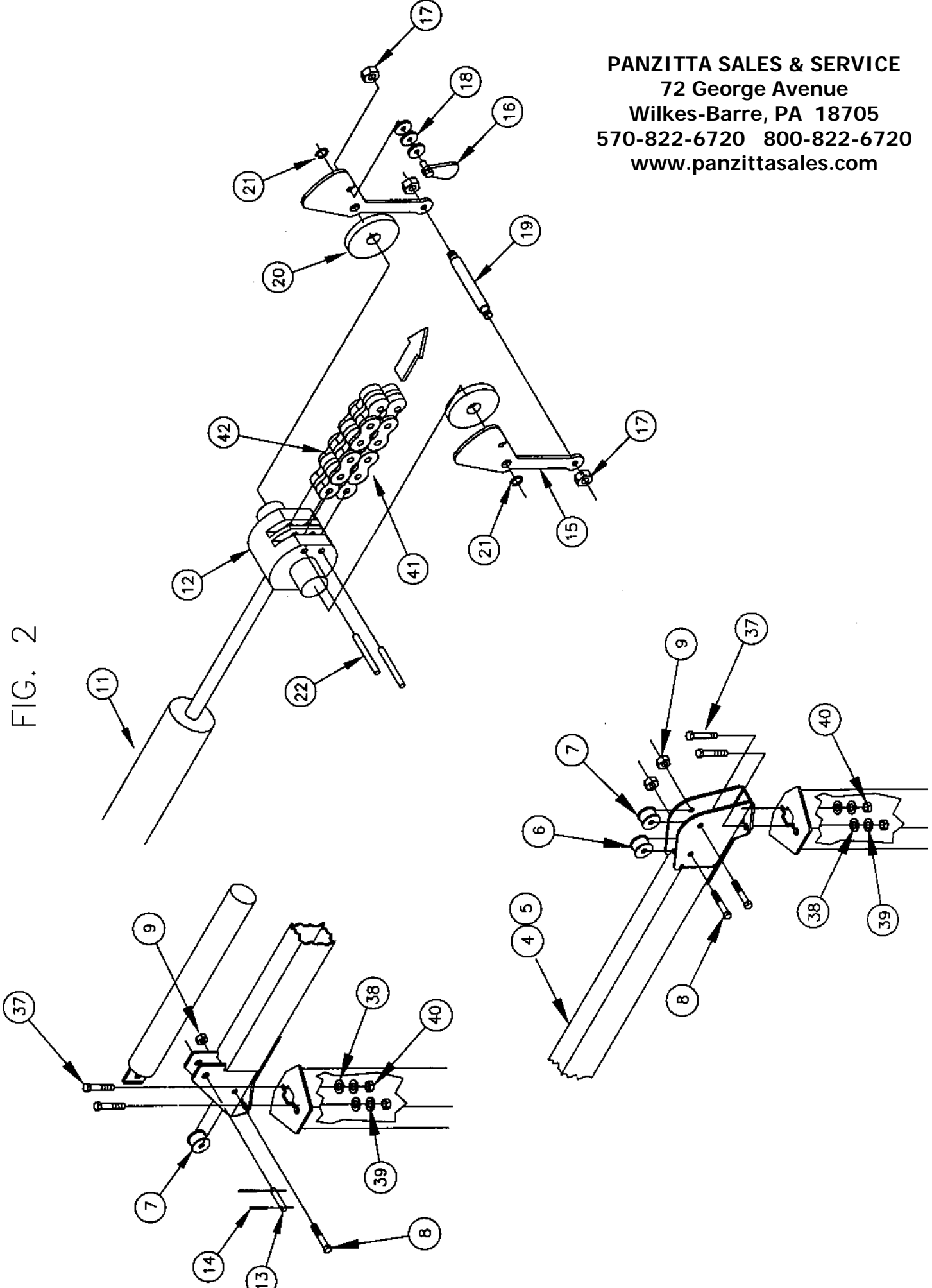
PANZITTA SALES & SERVICE
72 George Avenue
Wilkes-Barre, PA 18705
570-822-6720 800-822-6720
www.panzittasales.com

	MODEL	12000-4		12000-4 SHORT	
	LIFT PART NUMBER	90007	QT	90050	QT
#	SLACK CHAIN KIT	91169	4	91169	4
	49 ROD - SLACK CHAIN	91170	1	91170	1
	50 HEX NUT	101006	2	101006	2
51	# HYDRAULIC HOSE	91172	1	91172	1
52	# ELBOW	60368	1	60368	1
53	# ELBOW	105004	2	105004	2
#	HARDWARW KIT - POWER UNIT	95009	4	95009	4
	54 HHFL SCREW	100234	4	100234	4
	55 HH FL NUT	100237	4	100237	4
60	HYDRAULIC HOSE	91452	1	91452	1
61	MALE CONNECTOR	60052	1	60052	1
56	ANCHOR BOLT	95000	16	95000	16
57	SHIMS	95001	24	95001	24
58	POWER UNIT 1 PHASE 220V	95013	1	95013	1
59	PLASTIC TIE	103015	2	103015	2
#	NAME PLATE	62249	1	62249	1
#	BEN PEARSON DECAL 5X36 MYLAR	95005	2	95005	2
#	PB/800 DECAL 2X5 MYLAR	95006	1	95006	1
#	CAUTION DECAL 12000LB	95008	1	95008	1
#	BLUE TOUCH-UP PAINT (12OZ.) SPRAY	103007	1	103007	1
#	YELLOW TOUCH-UP PAINT (12OZ.)SPRAY	103008	1	103008	1
#	MANUAL	95052	1	95052	1
#	WARRANTY CARD	83423	1	83423	1

BP 12000-4.max

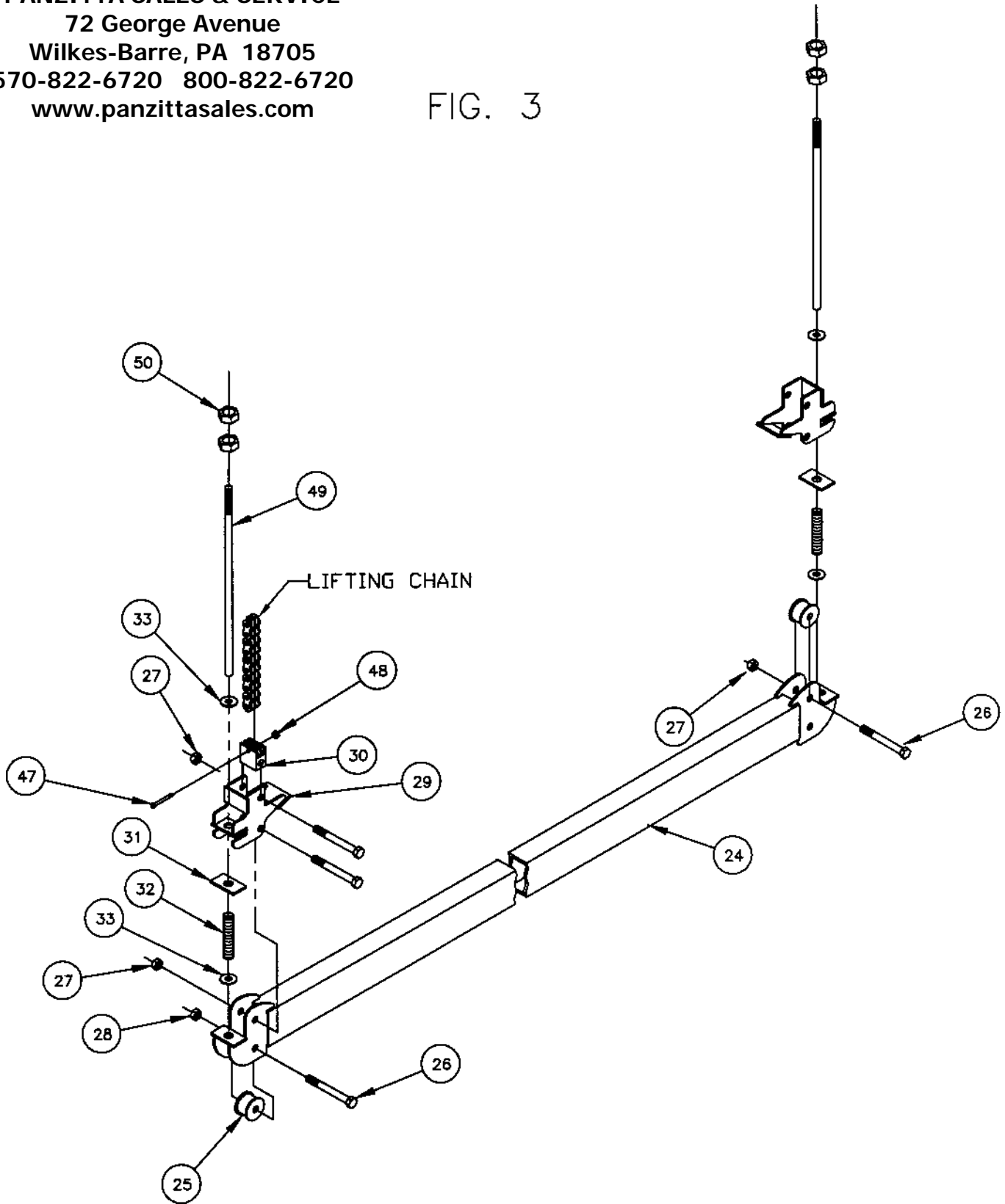
PANZITTA SALES & SERVICE
72 George Avenue
Wilkes-Barre, PA 18705
570-822-6720 800-822-6720
www.panzittasales.com

FIG. 2



PANZITTA SALES & SERVICE
72 George Avenue
Wilkes-Barre, PA 18705
570-822-6720 800-822-6720
www.panzittasales.com

FIG. 3



PARTS LISTING

09/30/98

		MODEL	12000-4		12000-4 SHORT	
		LIFT PART NUMBER	90007	QT	90050	QT
1	POST STRUCTURE - MAIN P/U		91112	1	91112	1
2	POST STRUCTURE - MAIN REAR		91117	1	91117	1
3	POST STRUCTURE - OFFSIDE		91118	2	91118	2
4	HORIZONTAL BEAM ASSEMBLY		91119	1	91316	1
	5 HORIZONTAL BEAM STR.		91121	1	91318	1
	6 BEARING ASSEMBLY- LARGE		91038	1	91038	1
	7 BEARING ASSEMBLY- SMALL		91130	2	91130	2
	8 HHS		101005	3	101005	3
	9 NYLON NUT		101001	3	101001	3
	11 CYLINDER		91132	1	91132	1
	12 CYLINDER ADAPTER		91133	1	91133	1
13	CYLINDER PIN		91134	1	91134	1
14	ROLL PIN		103003	2	103003	2
#	SAFTEY LATCH ASSY		91135	1	91135	1
	15 SIDE PLATE		91136	2	91136	2
	16 SAFTEY RELEASE STRUCTURE		91137	1	91137	1
	17 NYLON JAM NUT		101002	3	101002	3
	18 FLAT WASHER		100512	3	100512	3
	19 SAFTEY PIN		91139	1	91139	1
	20 ROLLER GUIDES		91140	2	91140	2
	21 SNAP RING		103006	2	103006	2
	22 CHAIN PIN		91141	2	91141	2
23	CROSS TUBE ASSEMBLY		91142	2	91142	2
	24 CROSS TUBE STRUCTURE		91143	1	91143	1
	25 BEARING ASSEMBLY- SMALL		91130	2	91130	2
	26 HHS		101005	4	101005	4
	27 NYLON JAM NUT		101002	3	101002	3
	28 NYLON NUT		101001	1	101001	1
	29 SLACK CHAIN STRUCTURE		91147	2	91147	2
	30 CHAIN ANCHOR		91150	1	91150	1
	31 SAFTEY LOCK BAR		91151	2	91151	2
	32 SPRING		103002	2	103002	2
	33 FLAT WASHER		100512	4	100512	4
	# SHIPPING PIN :		91152	2	91152	2
34	TRACK STRUCTURE		91153	2	91395	2
35	RAMP STRUCTURE		91159	2	91159	2
36	TIRE STOP		91162	2	91162	2
37	HEW SCREW		100016	8	100016	8
38	FLATWASHER		100152	12	100152	12
39	LOCKWASHER		100125	8	100125	8
40	HEX NUT		100124	8	100124	8
41	LIFTING CHAIN		91164	1	91352	1
42	LIFTING CHAIN		91165	1	91353	1
#	CROSS CHAIN ASSEMBLY		91166	2	91166	2
	43 CHAIN		91167	1	91167	1
	44 CHAIN ANCHOR STUD 12K		91168	1	91168	1
	45 MASTER LINK BL634		91036	2	91036	2
	46 NYLON NUT		101007	1	101007	1
47	SHOULDER BOLT		101008	2	101008	2
48	NYLON NUT		101009	2	101009	2